

# SOLVANCER®

A PATENT PENDING TECHNOLOGY

**Solvancer®** is a solubility enhancing technology incorporated into several Fluitec products, such as **Boost VR+™**, **DECON™** and **Infinity TO 32/46™**.

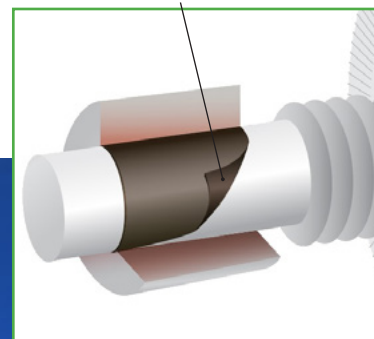
Solvancer is a chemical solution to varnish, engineered for non-detergent, API Group I-IV based lubricants. The Solvancer formulation is optimized depending on the application and can be tweaked to provide long-term machinery protection or rapid system decontamination.

Solvancer is an API Group V synthetic oil with unique benefits. It is completely miscible in lubricants and doesn't interfere with the additive system's functionality. It delivers tremendous improvements in solubility, as measured by rapid drops in **MPC™**, and doesn't allow lubricants to produce more varnish, even when the antioxidants expire.

Solvancer which is inherently used in deposit controlling turbine oil, Infinity TO, can be added to new oils, or in-service oils, delivered by DECON or Boost VR+. This patent-pending technology provides an entirely new, scalable and safe solution to varnish mitigation.



SOLVANCER®



## PRODUCTS WITH SOLVANCER



### boost VR+™

**Boost VR+** is a safer way of removing varnish and deposits from a lube system compared to detergent system cleaners. Unlike conventional cleaners, Boost VR+ uses patent pending technology that can safely be used in any oil wetted system where deposits occur.



### decon™

**DECON** is a blend of specialized synthetic API Group V chemistries. In addition to having outstanding solubility characteristics, it also has rapid reduction of the oil's varnish potential and oxidation stability and deposit control characteristics.



### infinity to 32/46™

Introducing **Infinity TO 32/46**, a product which, after years of simulated stress tests, has created virtually no varnish producing byproducts. After being beaten up far beyond industry standards, you're left with a pure product whose formula chemically controls by-products to keep you up and running.

© 2021 Fluitec. All Rights Reserved. | v5-0221